



**SUPER·COR[®]**

 **BEST
MANAGED
COMPANIES**



BUILD IN VALUE WITH SUPER·COR[®] STRUCTURAL STEEL PLATE.

ail.ca



Atlantic Industries Limited
We Support You.

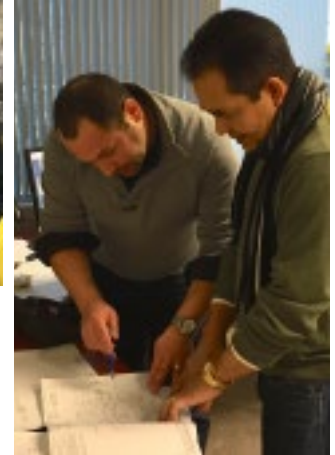


We've been adding value to some of the world's most successful infrastructure projects for over 50 years.



Canada, we have your structural plate. And more.

Atlantic Industries Limited (AIL) is a world leader in value-engineered solutions using structural plate. Lightweight, strong and economical, AIL's Super-Cor® Structural Steel Plate is easy to ship and install with minimal equipment and labour requirements, making it ideal for remote locations. In fact, Super-Cor® is one of the most internationally-accepted and widely-used deep corrugation profiles available.



A complete range of engineered solutions.

AIL offers a wide range of bridge and infrastructure solutions in structural plate, all engineered to deliver optimum performance and value for your particular application. We also provide supporting products like Headwalls, Wingwalls, and Guiderails, to make your projects even more convenient. Visit ail.ca to see the complete range of AIL products.

A coast-to-coast network to support you.

With a Canada-wide network of sales teams, engineering offices and manufacturing facilities, AIL is a proven project partner ready to help you with full design and engineering support, as well as, dependable field service. Plus, as a member of The AIL Group of Companies, we bring a world of resources and expertise to our projects in the transportation, rail, public works, mining, forestry and development sectors.



For project guidance and assistance,
call toll-free 1-877-245-7473 or email info@ail.ca



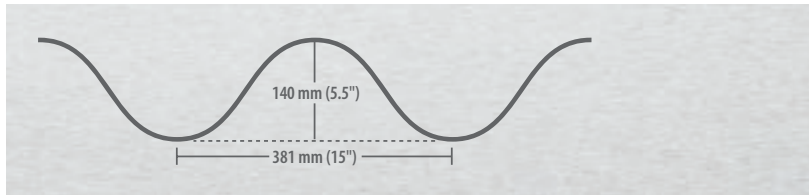


Premium, hot-dip-galvanized, deep-corrugated, structural steel plate for larger applications, including box culverts.

RECOMMENDED FOR

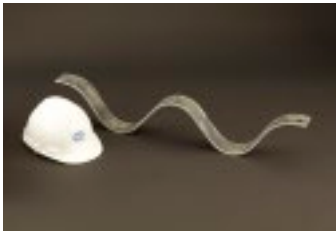
- ▶ Structural Plate Arches and Bridges ▶ Grade Separations
- ▶ Road or Rail Underpasses ▶ Stream Crossings ▶ Box Culverts
- ▶ Heavy Haul Road Arches ▶ Stockpile Tunnels
- ▶ Storage Structures ▶ Portals and Canopies ▶ Culvert Relines

Super-Cor® combines the advantages of lightweight construction with the superior strength and durability of deep-corrugated, galvanized steel to create some of the world's largest corrugated metal structures.

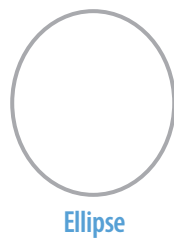
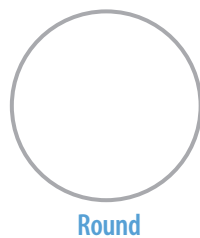


The larger, annular corrugations in Super-Cor® provide nine times the stiffness of conventional structural plate, allowing it to withstand the heaviest of loads. Not only is Super-Cor® the most versatile and economical corrugation on the market, it is also the most internationally-accepted and widely-used.

- ▶ Revolutionary alternative to conventional bridges
- ▶ Handles extreme loadings
- ▶ Spans can exceed 25 m (82')
- ▶ Corrugation profile of 381 mm (15") pitch × 140 mm (5.5") depth
- ▶ Available in: Box Culverts; Standard, Low, Medium, or High Profile Arches; Rounds, and; Ellipses
- ▶ Bottomless designs are environmentally-friendly
- ▶ Available with Best-Kote Polymer Coating



ALL is your single source for a comprehensive engineered package including specifications, drawings, structure, footings, headwalls, wingwalls and fascia finishes.





Lightweight and super strong, Super-Cor® is the most internationally-accepted and widely-used deep corrugation profile.



Available with Best-Kote Polymer Coating

Best-Kote Polymer Coating can be used on all or part of Super-Cor® structures to enhance their performance and extend their design service lives under harsh or corrosive conditions.

Ask your AIL Technical Sales Representative for more details.



+75 YEAR DESIGN SERVICE LIFE



Transportation



Mining



Development

Strong

Larger, annular corrugations allow Super-Cor® structures to withstand the heaviest of loads.

Versatile

Long spans, shallow covers, a variety of shapes and reinforcement options extend Super-Cor's application range.

Durable

Heavy-duty galvanized coating is bonded to surface. Optional Best-Kote Polymer Coating can extend service life to over 75 years.



Oil and Gas





Railroad



Public Works



Economical
Super-Cor® is easy to ship and install with local crews and equipment, even in remote locations.

Maintenance-Free
Unlike conventional structures, which frequently require retrofits, Super-Cor® is relatively maintenance-free.

Environmentally-Friendly
Made from recycled and recyclable steel, Super-Cor® structures typically install with less impact on stream beds and fish habitat.



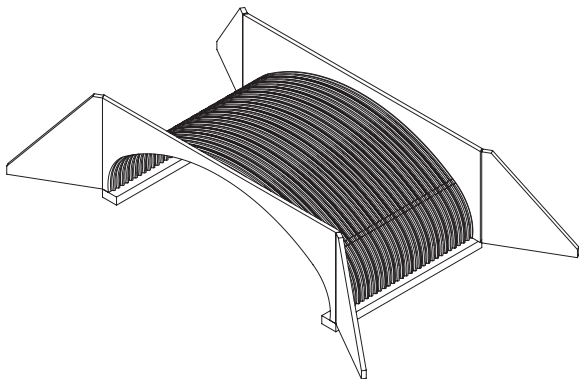
Forestry

Super-Cor® Arches surpass the range of conventional plate arches with spans exceeding 25 m (82 ft). They can be installed with minimal environmental impact.

High-profile Super-Cor® arches are ideal for grade separations or in applications requiring large end areas or wider spans.

Your complete solution.

AIL is your single source for a comprehensive engineered package including the structure, footings, headwalls, wingwalls, fascia finishes and guiderail systems.



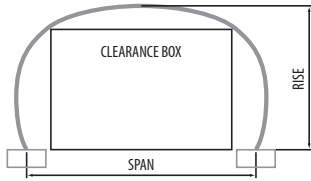
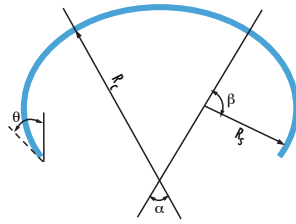
SAVE TIME AND MONEY

Super-Cor® structures erect quickly with less labour and transportation costs. In some cases, it is not necessary to interrupt vital 24-hour traffic.

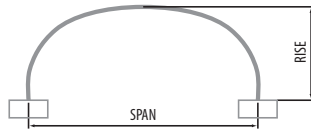


Arch Details

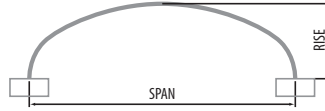
Typical Arch Profile



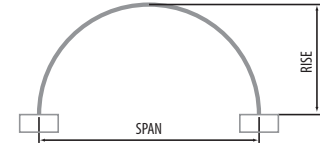
High Profile Arch



Medium Profile Arch



Low Profile Arch



Standard Arch

Available Sizes

Custom sizes/geometries are also available. Consult your AIL Technical Sales Representative.

Arch No.	Max. Span (mm) (ft.-in.)	Bottom Span (mm) (ft.-in.)	Total Rise (mm) (ft.-in.)	End Area (m ²) (ft. ²)	Total S	Arch No.	Max. Span (mm) (ft.-in.)	Bottom Span (mm) (ft.-in.)	Total Rise (mm) (ft.-in.)	End Area (m ²) (ft. ²)	Total S
SCA1	6990 22-11	6990 22-11	3495 11-5	19.20 207	27	SCA40	13500 44-3	13479 44-3	4612 15-2	50.12 540	45
SCA2	7250 23-9	7250 23-9	3625 11-11	20.60 222	28	SCA41	13980 45-10	13980 45-10	6985 29-11	76.70 826	54
SCA3	7510 24-8	7510 24-8	3755 12-4	22.10 238	29	SCA42	14000 45-11	13958 45-10	4877 16-0	54.88 591	47
SCA4	7640 25-1	7640 25-1	3820 12-6	23.70 255	30	SCA43	14000 45-11	13872 45-6	6543 21-6	75.91 817	54
SCA5	8000 26-3	7994 26-3	3594 11-9	23.53 253	30	SCA44	14000 45-11	13641 44-9	7009 23-0	83.57 900	57
SCA6	8030 26-4	8030 26-4	4015 13-2	25.30 272	31	SCA45	14500 47-7	14433 47-4	5150 16-11	59.87 644	49
SCA7	8290 27-2	8290 27-2	4140 13-7	27.00 290	32	SCA46	15000 49-3	14960 49-1	5232 17-2	62.15 669	50
SCA8	8550 28-1	8550 28-1	4270 14-0	28.70 308	33	SCA47	15000 49-3	14780 48-6	7022 23-0	87.32 940	58
SCA9	8800 28-10	8800 28-10	4400 14-5	30.40 327	34	SCA48	15000 49-3	14663 48-1	7351 24-1	92.90 1000	60
SCA10	9000 29-6	8983 29-6	3760 12-4	28.15 303	33	SCA49	15010 49-3	15010 49-3	7505 24-11	88.50 952	58
SCA11	9000 29-6	8724 28-7	5168 16-11	40.67 438	40	SCA50	15500 50-10	15441 50-8	5520 18-1	67.55 727	52
SCA12	9060 29-9	9060 29-9	4530 14-10	32.20 347	35	SCA51	15530 50-11	15530 50-11	7765 25-6	94.70 1019	60
SCA13	9320 30-7	9320 30-7	4660 15-3	34.10 367	36	SCA52	16000 52-6	15942 52-4	4922 16-2	64.47 694	52
SCA14	9500 31-2	9456 31-0	3956 13-0	31.54 340	35	SCA53	16000 52-6	15870 52-1	6666 21-10	89.41 962	59
SCA15	9580 31-5	9580 31-5	4790 15-9	36.00 388	37	SCA54	16000 52-6	15543 51-0	7982 26-2	111.11 1196	66
SCA16	9840 32-3	9840 32-3	4920 16-2	38.00 409	38	SCA55	16050 52-8	16050 52-8	8025 26-4	101.10 1088	62
SCA17	10000 32-10	9967 32-8	3961 13-0	33.14 357	36	SCA56	16500 54-2	16406 53-10	5168 16-11	69.78 751	54
SCA18	10000 32-10	9740 31-11	4547 14-11	38.93 419	39	SCA57	16570 54-8	16570 54-8	8280 27-2	107.70 1160	64
SCA19	10000 32-10	9690 31-9	5371 17-7	47.06 507	43	SCA58	17000 55-9	16930 55-7	5224 17-2	72.02 775	55
SCA20	10100 33-2	10100 33-2	5045 16-6	40.00 431	39	SCA59	17000 55-9	16909 55-6	6720 22-1	94.96 1022	61
SCA21	10360 34-0	10360 34-0	5175 17-0	42.10 453	40	SCA60	17000 55-9	16478 54-0	8483 27-10	124.98 1345	70
SCA22	10500 34-5	10476 34-4	3974 13-9	34.75 374	37	SCA61	17220 56-6	17220 56-6	8610 28-4	114.60 1233	66
SCA23	10870 35-8	10870 35-8	5435 17-10	46.40 500	42	SCA62	17500 57-5	17451 57-3	5285 17-4	74.29 800	56
SCA24	11000 36-1	10947 35-11	4193 13-9	38.53 415	39	SCA63	17600 57-8	17600 57-8	8800 28-10	121.60 1309	68
SCA25	11000 36-1	10697 35-1	4776 15-8	44.86 483	42	SCA64	18000 59-1	17921 58-10	5547 18-2	80.14 863	58
SCA26	11000 36-1	10642 35-3	5864 19-3	56.27 606	47	SCA65	18000 59-1	17886 58-8	6999 23-0	104.17 1121	64
SCA27	11390 37-4	11390 37-4	5695 18-8	50.90 548	44	SCA66	18110 59-5	18110 59-5	9068 29-9	128.90 1387	70
SCA28	11500 37-9	11462 37-7	4221 13-10	40.26 433	40	SCA67	18500 60-8	18447 60-6	5617 18-5	82.59 889	59
SCA29	11910 39-1	11910 39-1	5955 19-6	55.70 599	46	SCA68	19000 62-4	18912 62-1	5889 19-4	88.82 956	61
SCA30	12000 39-4	11974 39-3	4259 14-0	42.02 452	41	SCA69	19000 62-4	18926 62-1	7099 23-3	110.10 1185	66
SCA31	12000 39-4	11781 38-8	5639 18-6	57.10 615	47	SCA70	19150 62-10	19150 62-10	9576 31-5	155.81 1550	74
SCA32	12000 39-4	11612 38-0	6113 20-0	63.68 685	50	SCA71	19500 64-0	19448 63-10	5968 19-7	91.46 984	62
SCA33	12430 40-9	12430 40-9	6210 20-4	60.60 652	48	SCA74	20190 66-3	20190 66-3	10083 33-1	160.00 1722	78
SCA34	12500 41-0	12447 40-10	4501 14-9	46.26 498	43	SCA76	20700 67-11	20700 67-11	10360 34-0	168.30 1812	80
SCA35	12940 42-6	12940 42-6	6470 21-3	65.80 708	50	SCA78	21210 69-7	21210 69-7	10620 34-10	176.80 1903	82
SCA36	13000 42-8	12964 42-6	4553 14-11	48.18 519	44	SCA82	22250 73-0	22250 73-0	11125 36-6	194.50 2094	86
SCA37	13000 42-8	12745 41-10	5890 19-4	64.39 693	50	SCA86	22760 74-8	22760 74-8	11380 37-4	203.60 2192	88
SCA38	13000 42-8	12662 41-6	6460 21-2	72.07 776	53	SCA90	24000 78-9	24000 78-9	12040 39-6	227.40 2448	93
SCA39	13460 44-2	13460 44-2	6730 22-1	71.10 765	52	SCA94	25000 82-0	25000 82-0	12500 41-0	245.40 2642	96

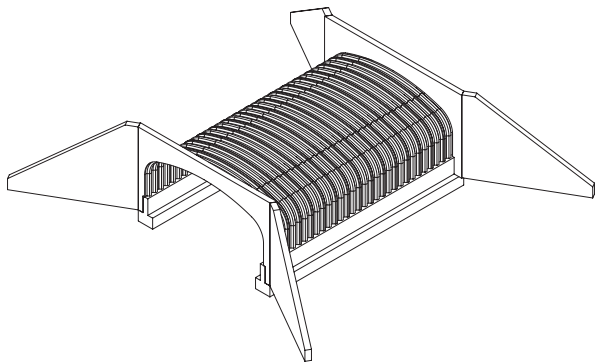
Structure numbers in bold denote single radius arch. All dimensions are to inside of crest of steel.

Super-Cor® Boxes offer the perfect solution for long-span, low-rise situations with shallow cover.

Super-Cor® Boxes combine the strength and cost advantages of AIL's Super-Cor® corrugation profile with a special, patented reinforcement along the length of the structure. The extra strength of this reinforcement permits designs exceeding 17 m (56').

Your complete solution.

From preliminary specifications and drawings through to project completion, AIL is your single source for a comprehensive engineered package including the structure, footings, headwalls, wingwalls, fascia finishes and guiderail systems.



LOOKING GOOD

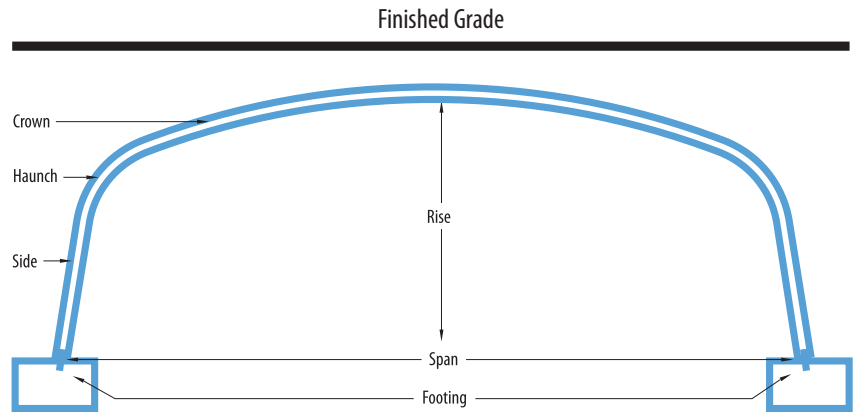
As shown here and opposite, Super-Cor® can be customized with many types of functional and attractive end treatments.





Structural Cross Section

Typical Box Culvert Height of Cover
450 mm (17.7") to 1500 mm (59")



Super-Cor® Box Culverts offer optimal clearance box and hydraulic flow geometry along with shallow covers.

Box Details

Available Sizes

Custom sizes/geometries are also available. Consult your AIL Technical Sales Representative.

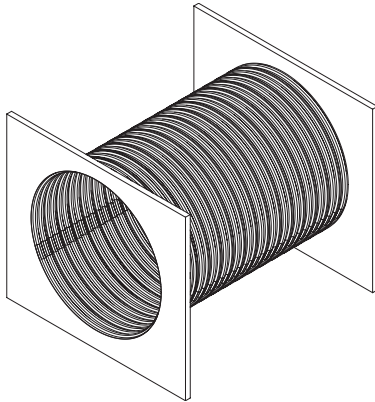
STRUCTURE NUMBER	SPAN			RISE			AREA		STRUCTURE NUMBER	SPAN			RISE			AREA	
	mm	ft	ft-in	mm	ft	ft-in	m ²	ft ²		mm	ft	ft-in	mm	ft	ft-in	m ²	ft ²
SB-3H	3527	11.571	11' 7"	1457	4.780	4' 9"	4.37	47.04	SB-11H	11024	36.168	36' 2"	3128	10.262	10' 3"	26.90	289.54
SB-4L	3913	12.838	12' 10"	1321	4.334	4' 4"	4.67	50.27	SB-12L	12021	39.438	39' 5"	2713	8.901	8' 11"	25.47	274.15
SB-4H	3933	12.903	12' 11"	1638	5.374	5' 4"	5.70	61.35	SB-12H	12024	39.448	39' 5"	3360	11.023	11' 0"	31.66	340.78
SB-5L	5153	16.906	16' 11"	1629	5.344	5' 4"	7.06	75.99	SB-13L	13018	42.709	42' 9"	2901	9.518	9' 6"	29.91	321.94
SB-5H	5051	16.571	16' 7"	2032	6.667	6' 8"	9.06	97.52	SB-13H	13130	43.077	43' 1"	3572	11.719	11' 9"	36.59	393.84
SB-6L	6005	19.701	19' 8"	1695	5.561	5' 7"	8.48	91.28	SB14L	14011	46.000	46' 0"	3096	10.157	10' 2"	34.46	370.92
SB-6H	6093	20.000	20' 0"	2068	6.785	6' 9"	10.82	116.46	SB14H	14091	46.230	46' 3"	4012	13.163	13' 2"	44.84	482.64
SB-7L	7002	22.000	22' 0"	1966	6.450	6' 5"	11.23	120.88	SB-15L	15069	49.438	49' 5"	3116	10.223	10' 3"	36.58	393.73
SB-7H	7016	23.018	23' 0"	2363	7.753	7' 9"	13.97	150.37	SB-15M	15008	49.238	49' 3"	3593	11.788	11' 9"	41.64	448.20
SB-8L	8008	26.273	26' 3"	2232	7.323	7' 4"	14.40	155.00	SB-15H	15056	49.396	49' 5"	4323	14.183	14' 2"	49.50	532.80
SB-8H	8011	26.282	26' 3"	2700	8.858	8' 10"	17.86	192.24	SB-16L	16011	52.529	52' 6"	3188	10.459	10' 6"	39.05	420.32
SB-9L	9065	29.740	29' 9"	2055	6.742	6' 9"	15.24	164.04	SB-16M	16023	52.568	52' 7"	3895	12.779	12' 9"	49.37	531.40
SB-9H	9047	29.681	29' 8"	2585	8.481	8' 6"	19.30	207.74	SB-16H	16005	52.509	52' 6"	4493	14.741	14' 9"	57.23	616.00
SB-10L	10092	33.110	33' 1"	2287	7.503	7' 6"	18.76	201.93	SB-17L	17098	56.095	56' 1"	3519	11.545	11' 7"	47.36	509.77
SB10H	10108	33.162	33' 2"	2894	9.495	9' 6"	23.69	254.99	SB17M	17086	56.056	56' 1"	4157	13.638	13' 8"	56.26	605.56
SB-11L	11023	36.164	36' 2"	2448	8.031	8' 0"	21.21	228.30	SB-17H	17086	56.056	56' 1"	4844	15.892	15' 11"	64.91	698.67

All dimensions are to inside crest of steel.

Super-Cor® Round structures permit construction of dramatically larger diameters than was previously possible with conventional structural plate pipe configurations.

This common and very versatile shape is frequently chosen for culverts, sewers and sub-drains, but it can also be used for storage bins, access ways, tunnels, bridges, and storm water retention/detention systems.

Round Details



Available Sizes

Custom sizes/geometries are also available.

Consult your AIL Technical Sales Representative.

Pipe No.	Diameter (mm)	Diameter (ft.-in.)	End Area (mm ²)	End Area (ft. ²)
SC66R	8400	27-7	55.4	596
SC68R	8650	28-5	58.7	632
SC70R	8910	29-2	62.3	671
SC72R	9170	30-1	66.0	710
SC74R	9430	30-11	69.8	751
SC76R	9690	31-10	73.7	793
SC78R	9950	32-7	77.7	836
SC80R	10200	33-6	81.7	879
SC82R	10460	34-4	85.9	925
SC84R	10720	35-2	90.2	971
SC86R	10980	36-0	94.6	1018
SC88R	11240	36-11	99.2	1068
SC90R	11500	37-8	103.8	1117
SC94R	12020	39-5	113.4	1221
SC98R	12530	41-1	123.3	1327
SC102R	13050	42-10	133.7	1439
SC106R	13570	44-6	144.6	1556
SC110R	14080	46-2	155.7	1676
SC114R	14600	47-11	167.4	1802
SC118R	15120	49-7	179.5	1932
SC122R	15640	51-4	192.1	2068

All dimensions are to inside crest of steel.



THE STRONGEST

In mine sites around the world, Super-Cor® is used under huge stock piles.



Super-Cor® structures are manufactured in accordance with CHBDC, AASHTO and ASTM design requirements

Specified		Wall Thickness		Area		Tangent Length (TL)		Moment of Inertia		Section Modulus		Radius of Gyration	
mm	in.	mm	in.	mm ² /mm	in ² /ft	mm	in.	mm ⁴ /mm	in ⁴ /in.	mm ³ /mm	in ³ /in.	mm	in.
4.3	0.17	4.19	0.16	5.846	0.23	109.8	4.32	14334	0.87	260	0.40	49.5	1.95
4.8	0.19	4.67	0.18	6.536	0.26	109.2	4.30	16039	0.98	291	0.45	49.5	1.95
5.5	0.22	5.41	0.21	7.628	0.30	108.2	4.26	18743	1.14	340	0.53	49.6	1.95
6.3	0.25	6.19	0.24	8.716	0.34	107.2	4.22	21446	1.31	389	0.60	49.6	1.95
7.1	0.28	7.00	0.28	9.808	0.39	106.2	4.18	24165	1.47	438	0.68	49.6	1.95
8.1	0.32	7.94	0.31	11.120	0.44	104.9	4.13	27424	1.67	492	0.76	49.7	1.96

Installation

Typical Structural Plate installation.

All's corrugated metal structures ship and install quickly and economically, with minimal equipment and labour requirements. Our Technical Teams will guide you through the complete project.



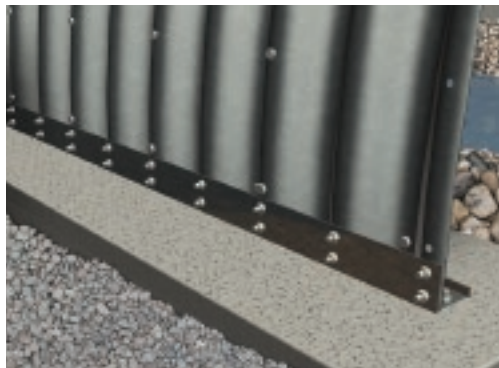
Reinforced concrete footings are cast over the prepared site.



The first arch segment is completely assembled on the ground.



Then, it is lifted into place and bolted to the footings on either side.



The segments bolt into base channels, integrated into the concrete.



Plates then attach individually to make up other arch segments.



If specified, reinforcement ribs are then added.



Layers of engineered backfill are added in sequential lifts.



Then the road surface is completed with safety barriers.

Super-Cor® structures distribute superimposed loads to the surrounding engineered backfill, so it is essential to use care during installation and backfilling to ensure proper performance. The following guidelines will help ensure a successful project.

Excavation

Trench excavation will vary, depending on the nature of the *in situ* material. It is necessary to provide an excavated area that ensures adequate distance from soils with questionable structural integrity. If the native soil is stable, excavate only the area that is required to provide minimum bedding, backfill envelope and enough room for compaction equipment to manoeuvre. For stream crossing applications, local authorities will impose guidelines for construction activity.

Foundations

Super-Cor® structures are flexible and can accommodate some differential settlement without distress. It is important, nevertheless, to minimize differential settlement by removing and replacing poor foundation material. Pile foundations often create differential settlement issues. Preparation should be confined to minimum, but practical, widths and should result in a uniform base for the structure. A bedding of loose material will provide a slight cushion and the bedding may be flat or shaped, depending on the structure configuration and construction methods being used. It is essential that all corrugations be filled.

Assembly

A Super-Cor® structure arrives at the job site in bundles curved to the proper radius. Included are bolts and any other special hardware that may be required, as well as instructions and shop drawings listing all components. Assembly is easy, requiring relatively simple tools. Correct lapping, bolt-tightening and shape-monitoring are all important to achieve the correct design dimensions. Your AIL Technical Representative can provide information and assistance to those unfamiliar with structural plate assembly.

Backfill

Super-Cor® structures require a stable, engineered backfill to retain their shape and structural integrity. The quality of the backfill envelope depends on the choice of material, placement of backfill, and compaction of the envelope. AIL will detail suitable backfill materials for the structures. A well-graded, free-draining, granular backfill is preferred. There is no substitute for an examination by a geotechnical engineer.

Inspection

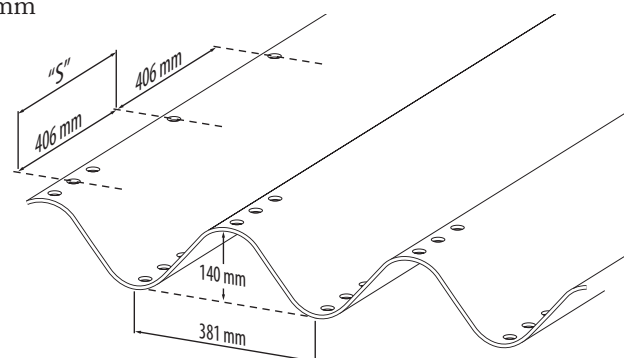
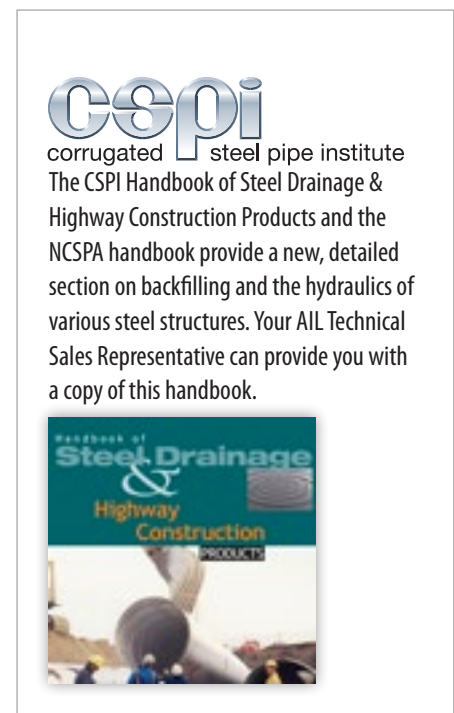
Inspection should be performed on a full-time basis by qualified personnel. Backfill is placed in a balanced manner in 150 mm (6") to 200 mm (8") lifts for the entire backfill envelope. Compaction testing is required to ensure that backfill material is compacted to the required density, as shown on issued drawings. It is necessary to utilize well maintained compaction equipment of the appropriate size and specification for the application and as referenced in the drawing notes.

End Finishes

Special attention must be paid to beveled or skewed ends. Incomplete structural rings may need to be reinforced with steel or concrete (or tied back) to maintain structural integrity. Exercise caution when placing backfill around them to avoid distortion.

Standard End Finishes are:

- ▶ Squared
- ▶ Beveled
- ▶ Partially-beveled
- ▶ Skewed

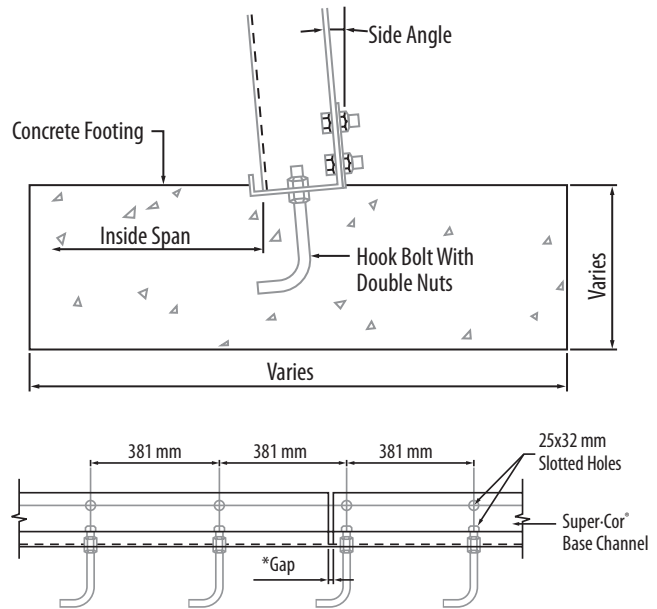


Footing Options

Super-Cor® packages come with a variety of footing options to suit various sites:

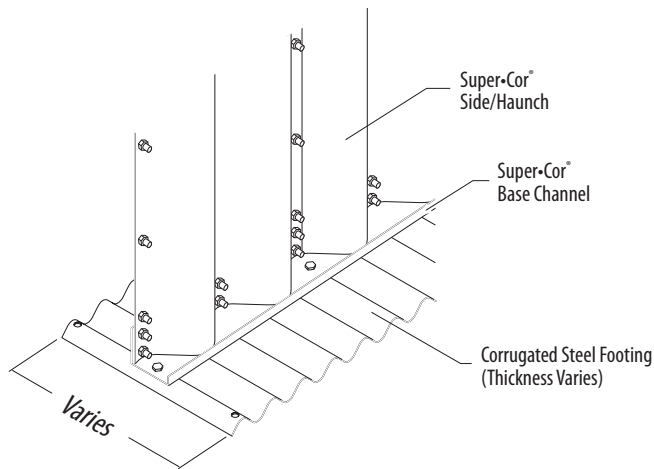
- ▶ Precast or cast-in-place concrete footings – the most common footing type, in which a receiving angle is embedded in concrete.
- ▶ Steel footing pads – used as a time-saving alternative to concrete footings in sites with non-erodible stream beds. If the site permits, footings should be buried a minimum of 600 mm (24") below flow line. Note: When footing pads are buried, the published end area of Super-Cor® will be reduced.
- ▶ Full steel invert – for applications in erodible stream beds requiring a corrugated steel floor or invert. To prevent undermining of the invert, we recommend the use of an optional toewall for the upstream and downstream ends.

Concrete Footing



*Note: Space base channel so that 381 mm c/c spacing of slotted holes in long leg is maintained

Corrugated Steel Footing



Headwall Options

In addition to enhancing their appearance, well-designed end treatments are essential to the structural and hydraulic performance of Super-Cor®

- ▶ Vist-A-Wall MSE Structural Wall Systems™ with wire or concrete faces.
- ▶ Concrete, cast-in-place or precast
- ▶ Bolt-A-Bin® retaining wall systems
- ▶ Sheet Pile walls
- ▶ Welded wire gabion baskets

Coating Options

Super-Cor's heavy galvanized coating is metallurgically-bonded to the steel surface, providing extended service life. Super-Cor® is supplied with a standard 915 g/m² (3 oz/ft²) coating. A heavier 1220 g/m² (4 oz/ft²) coating is also available. Properly designed and installed, Super-Cor® structures will last over 100 years. Co-Polymer coatings are also available to further extend service life.



FOR PROJECT GUIDANCE AND ASSISTANCE, CALL TOLL-FREE 1-877-245-7473, OR EMAIL INFO@AIL.CA

The information and suggested applications in this brochure are accurate and correct to the best of our knowledge, and are intended for general information purposes only. These general guidelines are not intended to be relied upon as final specifications, and we do not guarantee specific results for any particular purpose. We strongly recommend consultation with an Atlantic Industries Limited Technical Sales Representative before making any design and purchasing decisions.



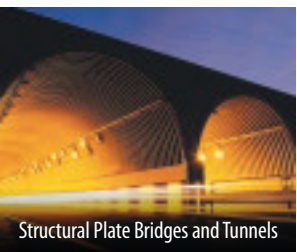
AIL products contain recycled content and are 100% recyclable.

ISO Certified

In keeping with AIL's ongoing commitment to high standards, our Plate Manufacturing Facilities in Ayr, Ontario and Dorchester, New Brunswick, as well as our Engineering Department in Ayr, Ontario have been certified to ISO 9001:2008.



AIL-625 12/2019



Structural Plate Bridges and Tunnels



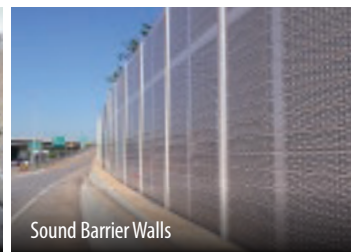
Prefabricated Bridges



Culvert Bridges



Retaining Walls and Abutments



Sound Barrier Walls

AIL OFFERS A COMPLETE RANGE OF BRIDGE AND INFRASTRUCTURE SOLUTIONS.



Atlantic Industries Limited

Head Office:

PO Box 6161, 32 York St.
Sackville, New Brunswick
Canada E4L 1G6
Phone: (506) 364-4600

Locations across Canada:

St. John's, NL • Deer Lake, NL • Halifax, NS • Dorchester, NB
Louiseville, QC • Mirabel, QC • Ottawa, ON • Toronto, ON • Ayr, ON
Kenora, ON • Winnipeg, MB • Saskatoon, SK • Calgary, AB • Edmonton, AB
Westlock, AB • Armstrong, BC • Prince George, BC • Vancouver, BC

Atlantic Industries Limited is a member of
THE AIL GROUP OF COMPANIES



Atlantic Industries Limited



INTERNATIONAL



SOUND WALLS

